

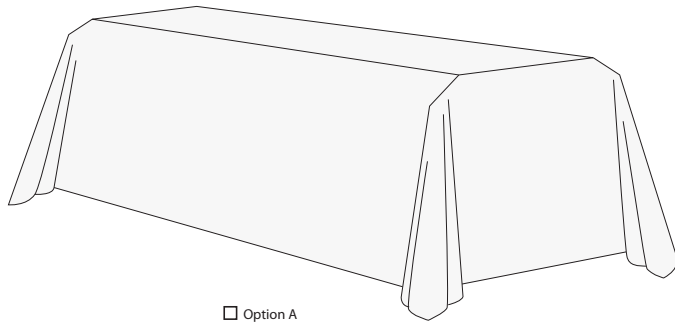
**FUNERAL PALLS** (please check option)

Page \_\_\_\_\_ of \_\_\_\_\_

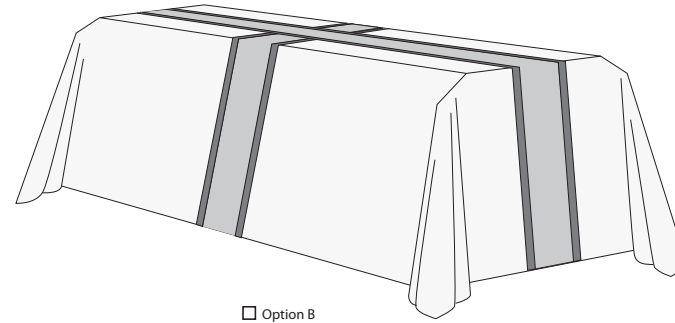
Date \_\_\_\_\_

Church Name & Location \_\_\_\_\_

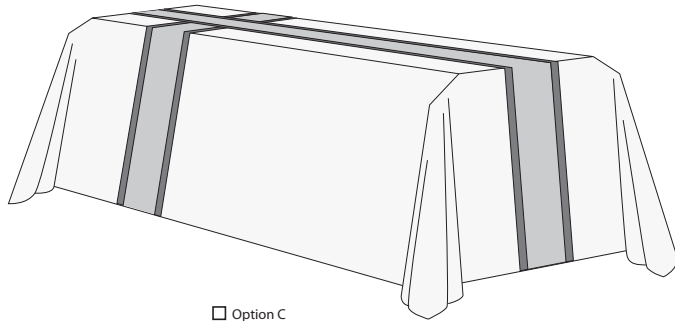
PO: \_\_\_\_\_



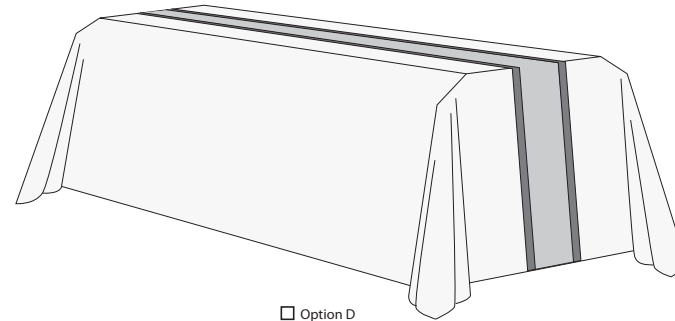
Option A



Option B



Option C



Option D

Pall Size Width \_\_\_\_\_

Main Fabric Name \_\_\_\_\_

Orphrey Fabric Name \_\_\_\_\_

Braid Name \_\_\_\_\_

Fringe Name \_\_\_\_\_

Cord Name \_\_\_\_\_

Lining Name \_\_\_\_\_

Design \_\_\_\_\_

Pall Size Length \_\_\_\_\_

Main Fabric Color \_\_\_\_\_

Orphrey Fabric Color \_\_\_\_\_

Braid Color \_\_\_\_\_

Fringe Color \_\_\_\_\_

Cord Color \_\_\_\_\_

Lining Color \_\_\_\_\_

Orphrey Width \_\_\_\_\_



Trevor Floyd

42 Wantage School Road, Sussex, New Jersey 07461

Phone: (973) 875-8974 / Fax: (973) 702-8974

E-mail: [trevor@trevorfloyd.com](mailto:trevor@trevorfloyd.com)